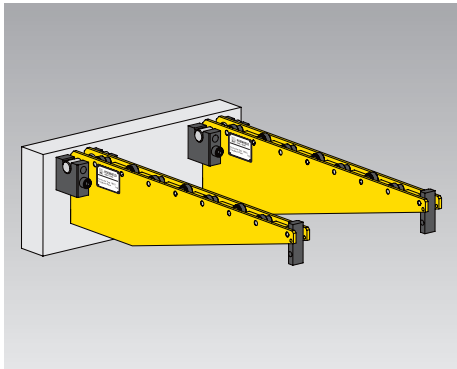


Carrying Consoles, Hanging

for easy and efficient die change on the press bed
load per pair 5 to 30 kN



Advantages

- Safe handling of heavy dies with ease
- Less downtime by easy and efficient die change
- High-quality, shock-resistant coating
- High load

Application

Carrying consoles allow a safe, effort and time-saving change of heavy dies on the press bed.

Description

The carrying consoles are hung in the hooks on the die changing side of the press. The hooks are supplied with the consoles. The consoles are used as a pair. Their size must be selected to suit the highest die weight.

The die is loaded onto the consoles using a crane or a forklift truck. The carrying rollers consist of high-strength hardened needle bearings. The end stop can be bypassed in one direction.

The surface is provided with a shock-resistant coating in RAL1004, golden yellow.

Delivery

- 2 carrying consoles (pair)
- 1 set of hooks (4 off)

Accessories

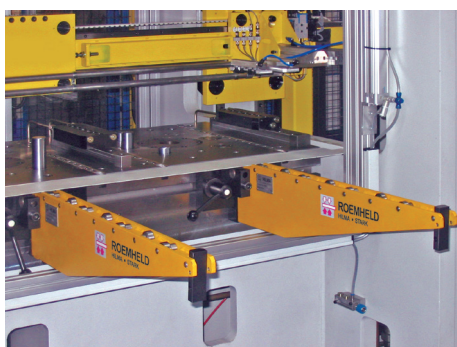
Hooks

Hanging consoles may be used for several presses. In this case, an additional set of hooks is required and can be ordered as an accessory or replacement (1 set = 4 off).

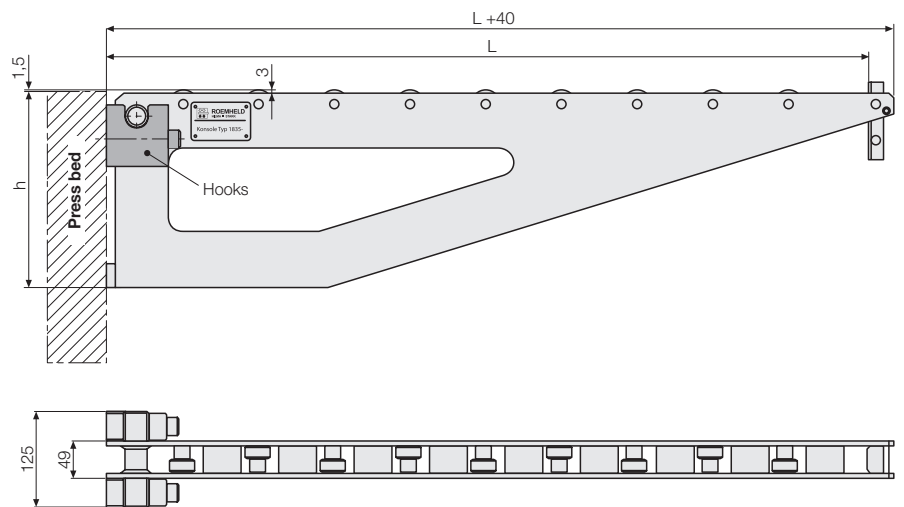
Part no. 7 18350007

Customised carrying consoles

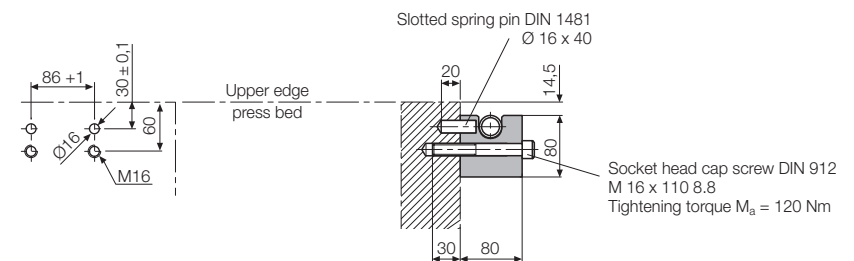
as e.g. sliding carrying consoles are available on request.



Hanging, sliding carrying consoles



Hole pattern for hooks



Technical data

Load (pair) [kN]	Support length L [mm]	Height h [mm]	Weight (pair) [kg]	Part no. (pair)
5	500	120	23	8 1835 0001
10	500	150	26	8 1835 0002
10	800	180	40	8 1835 0003
10	1000	250	48	8 1835 0104
20	800	250	40	8 1835 0105
20	1000	300	57	8 1835 0006
20	1250	350	80	8 1835 0107
30	800	400	60	8 1835 0008
30	1000	450	74	8 1835 0009
30	1250	500	107	8 1835 0010